

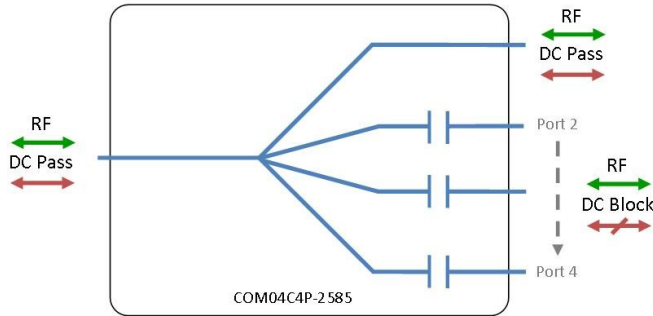


RF Components

4-Way C-Band Passive Splitter/Combiner

2 - 4.2 GHz

Model Number:
COM04C4P-2585



- 1 output DC Pass
- All other outputs DC Blocked

Available with RF connector options:

- 50 Ω SMA
- 50 Ω N-type

2 - 4.2 GHz
Operating frequency range. C-Band ready



Compact

Housed in rugged compact enclosure

Flexible Mounting

Tapped screw & through hole mounting options

RF Parameters		
COM04C4P-2585-XXXX	S5S5	N5N5
Frequency Range	2 - 4.2 GHz	
RF Connectors	50Ω SMA	50Ω N-Type
Insertion Loss (dB)	Typ.	1.2
	Max	2.0
Flatness ± (dB)	0.75	0.75
Input Return Loss (dB)	Typ.	15
	Min	10
Output Return Loss (dB)	Typ.	15
	Min	10
Isolation (dB)	Typ.	20
Amplitude Balance (dB)	≤0.15	≤0.15
Phase Balance (Φ)	≤3°	≤3°
The given Insertion Loss specified is the loss above the theoretical limit for a lossless divider		

Broadcast



Marine Oil & Gas



SNG & VSAT



Satellite Teleport



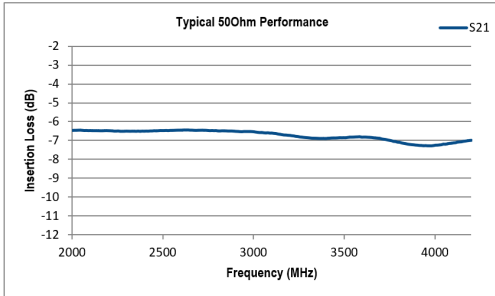


RF Components

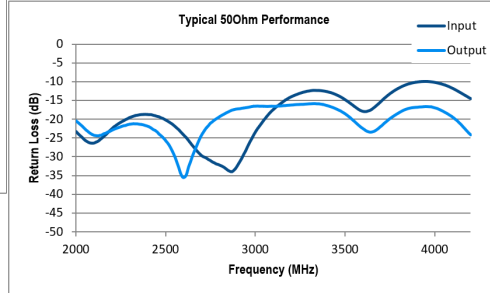
Model Number:
COM04C4P-2585

4-Way C-Band Passive Splitter/Combiner

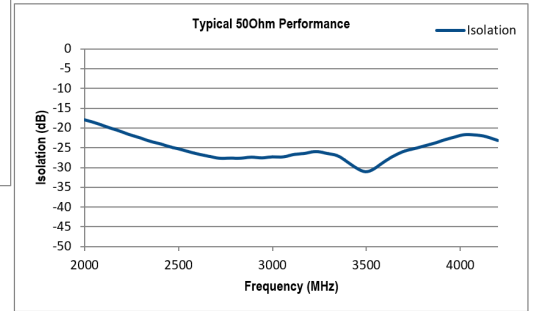
Technical specifications and operating parameters



Insertion Loss



Return Loss



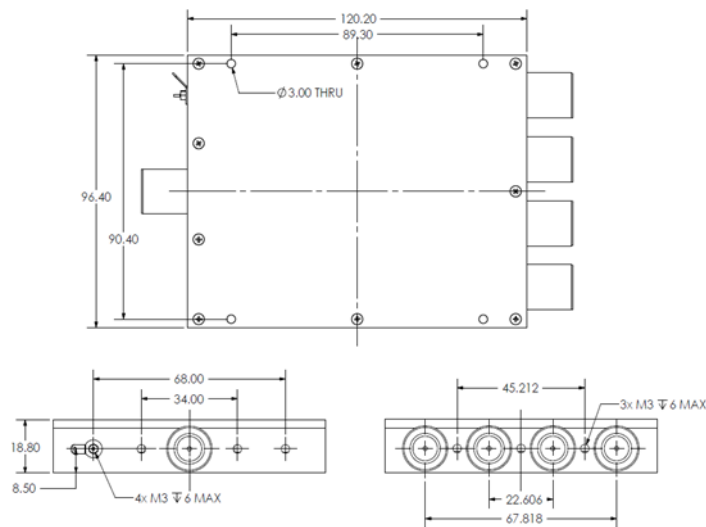
Isolation

Environmental	
Operating Temperature	0°C to +45°C
Storage Temperature	-20°C to +75°C
Location	Indoor use Only
Humidity	Max. 85% non-condensing
Altitude	Max. 10,000 feet

Max Operating Parameters	
Input RF Power	+37 dBm (5W)
DC Voltage	50V on any RF port
DC Current	500mA
DC Consumption	N/A

! Operation beyond these limits may cause instantaneous and permanent damage.

Physical Dimensions (mm)



Note: The specification is subject to regular reviews and will be updated from time to time as part of our continuing product development and improved specification accuracy.

ETL SYSTEMS LIMITED
Coldwell Radio Station
Madley
Hereford
England HR2 9NE

TELEPHONE
+44 (0)1981 259020

EMAIL
info@etlsystems.com

FACSIMILE
+44 (0)1981 259021

WEB
www.etlsystems.com

